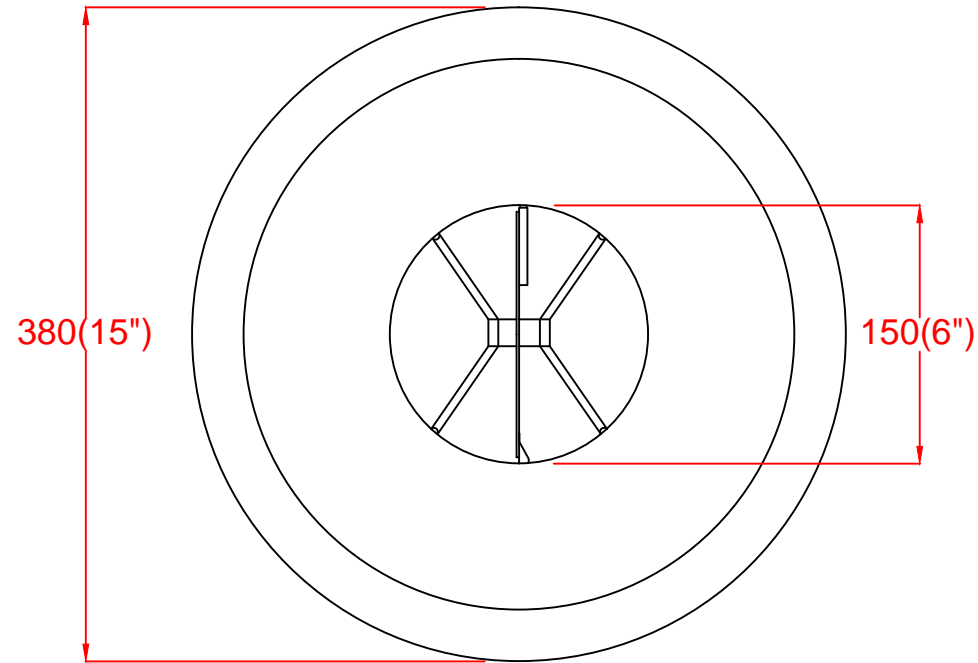
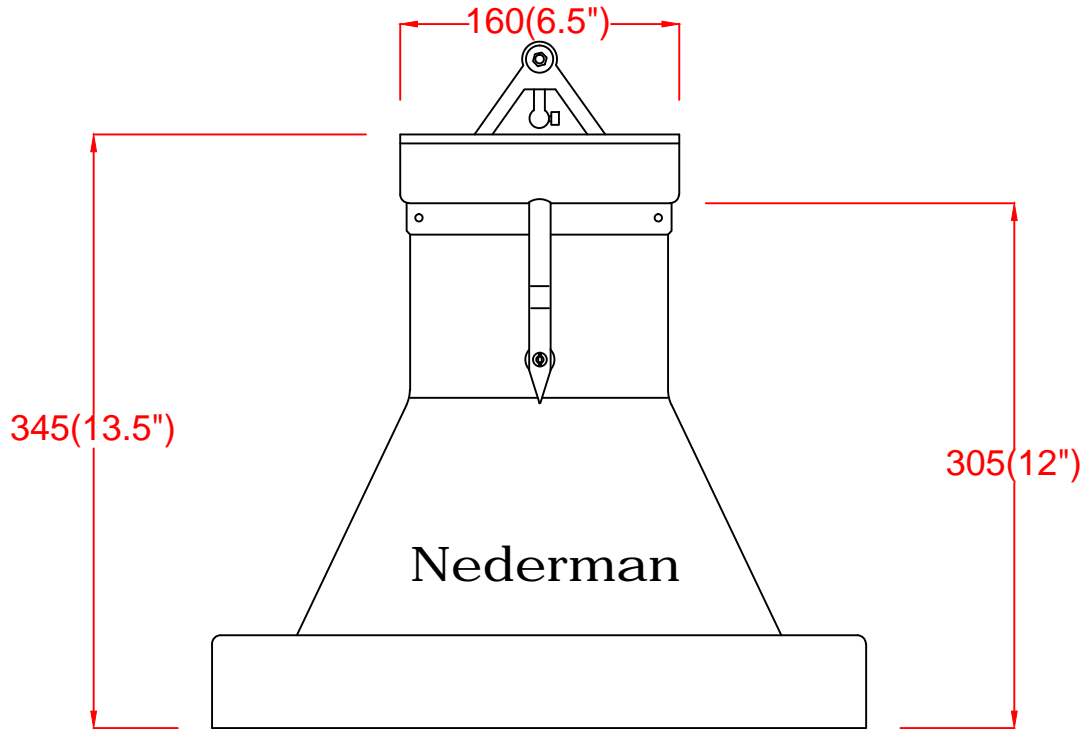


# Nederman Metal Hood with Damper - 10321542



**NOTES:**

Includes 10550635 standard wall bracket.

Qty: \_\_

JOB NAME:	DATE: Nov. 2011	A.Vukadinovic	DWG.#10321542
ENGINEER:	NEDERMAN, LLC - NORTH AMERICA WWW.NEDERMAN.COM 4404-A Chesapeake Drive Charlotte, North Carolina 28216		
CUSTOMER:			

WEIGHT: 1,57 Kg

102 Transit Avenue  
 Thomasville, NC 27360  
 TEL: (336)821-0800  
 FAX: (336)821-0890

5775 McLaughlin Road  
 Mississauga, ON, L5R 3P7  
 TEL: (905)366-2200  
 FAX: (905)366-2206